

Setup Instructions:

The LDSBus USB Adapter serves two functions: **1) Configure LDSBus Devices; 2) Create an LDSBus**

1) To Configure LDSBus Device (Sensors/Actuators)

Step 1:

Connect the LDSBus USB Adapter to a PC with a USB-C to USB-A (or USB-C to USB-C) cable.

Step 2:

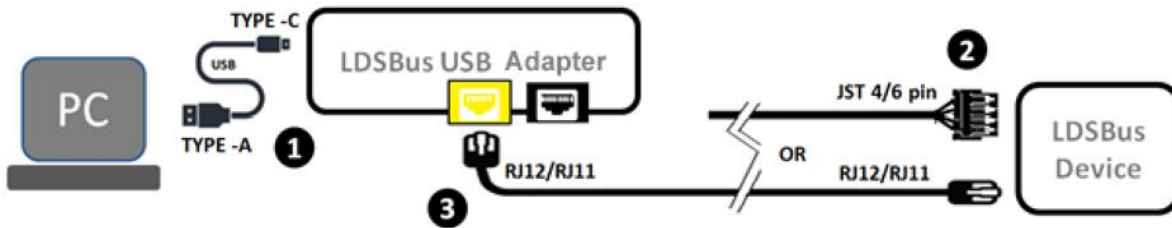
Ensure that the LDSBus Device is connected to its cable at one end.

Step 3:

Attach the other end of the cable to the LDSBus USB Adapter as shown.

Step 4:

Scan the QR code or visit the link provided below to download the LDSBus Configuration Utility and obtain step by step instructions for configuration.



2) To Create an LDSBus

Step 1:

Connect the LDSBus USB Adapter to a USB Host. (Windows/Linux PC, RPi3/4, or other supported hosts)

Step 2:

Connect a 24VDC/18W power adapter to the DC jack and power on. (Power to the LDSBus will be enabled by software)

Step 3:

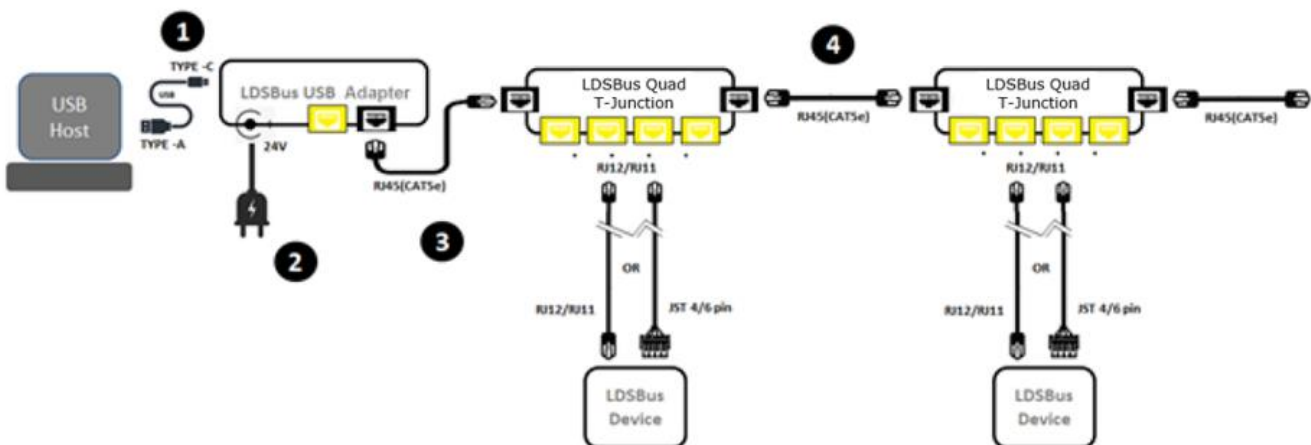
Connect the first LDSBus Quad T-Junction to the LDSBus USB Adapter using a RJ45 (CAT5e) Cable.

Step 4:

If there is more than one LDSBus Quad T-Junction, chain them together as shown.

Step 5:

Scan the QR code or visit the link provided below to download software to operate the bus.



Note: Enable termination for last LDSBus Device in the bus using the LDSBus Configuration Utility

Please scan QR code A or visit <https://brtsys.com/warranty> for warranty registration using the UUID and Product Key



A



View the full information of the LDSBus USB Adapter, application setup and installation at <https://brtsys.com/resources/> or scan QR Code B.

B

