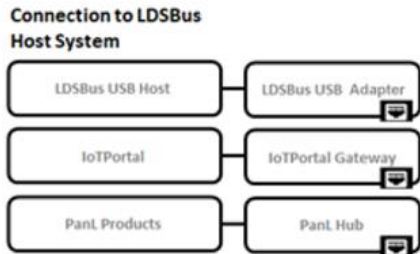


Setup Instructions:

The LDSBus Quad T-Junction connects LDSBus Devices (Sensors / Actuators) to the LDSBus. Each junction can connect up to four LDSBus Devices and additional LDSBus Quad T-Junctions may be daisy chained to add more LDSBus Devices to the LDS Bus.

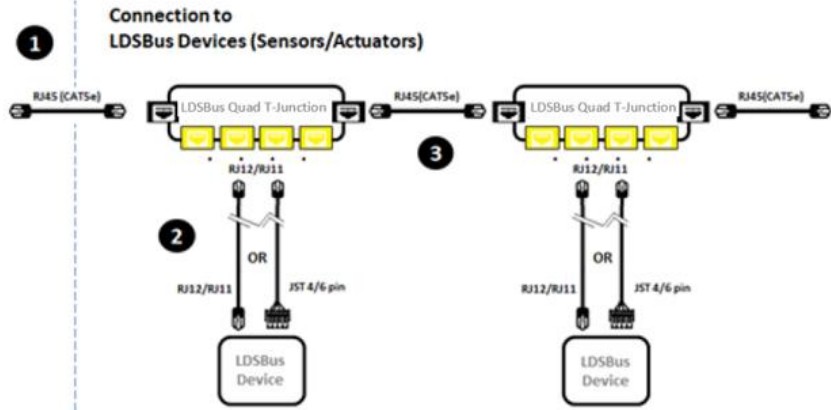
Step 1:

Connect the first LDSBus Quad T-Junction to any of the LDSBus Host Systems using an RJ45 (CAT5e) cable.



Step 2:

Connect the configured LDSBus Device(s) to the LDSBus Quad T-Junction as shown in the picture.

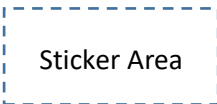


Step 3:

If there is more than one LDSBus Quad T-Junction in the system, chain them together as shown in the picture.

Note: Enable termination for last LDSBus Device in the bus

Please scan QR code A or visit <https://brtsys.com/warranty> for warranty registration using the UUID and Product Key.



View the full information on the LDSBus Quad T-Junction, application setup and installation at <https://brtsys.com/resources/> or scan QR Code B.

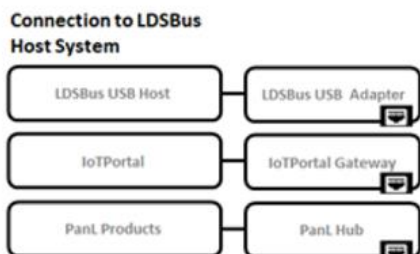


Setup Instructions:

The LDSBus Quad T-Junction connects LDSBus Devices (Sensors / Actuators) to the LDSBus. Each junction can connect up to four LDSBus Devices and additional LDSBus Quad T-Junctions may be daisy chained to add more LDSBus Devices to the LDS Bus.

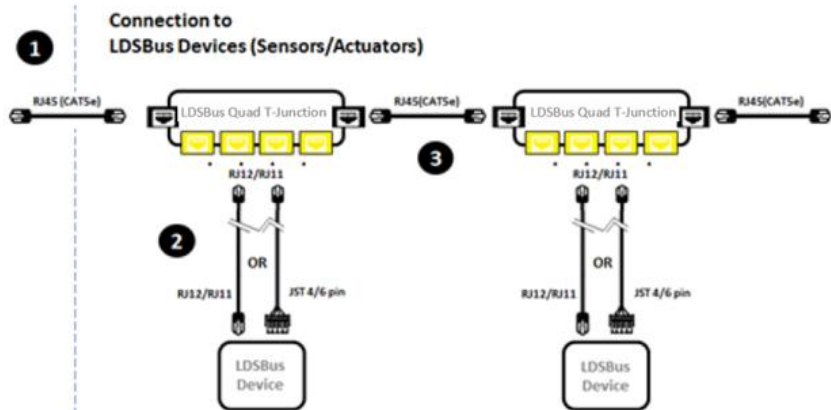
Step 1:

Connect the first LDSBus Quad T-Junction to any of the LDSBus Host Systems using an RJ45 cable (CAT5e) cable.



Step 2:

Connect the configured LDSBus Device(s) to the LDSBus Quad T-Junction as shown in the picture

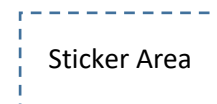


Step 3:

If there is more than one LDSBus Quad T-Junction in the system, chain them together as shown in the picture.

Note: Enable termination for last LDSBus Device in the bus

Please scan QR code A or visit <https://brtsys.com/warranty> for warranty registration using the UUID and Product Key.



View the full information on the LDSBus Quad T-Junction, application setup and installation at <https://brtsys.com/resources/> or scan QR Code B.

